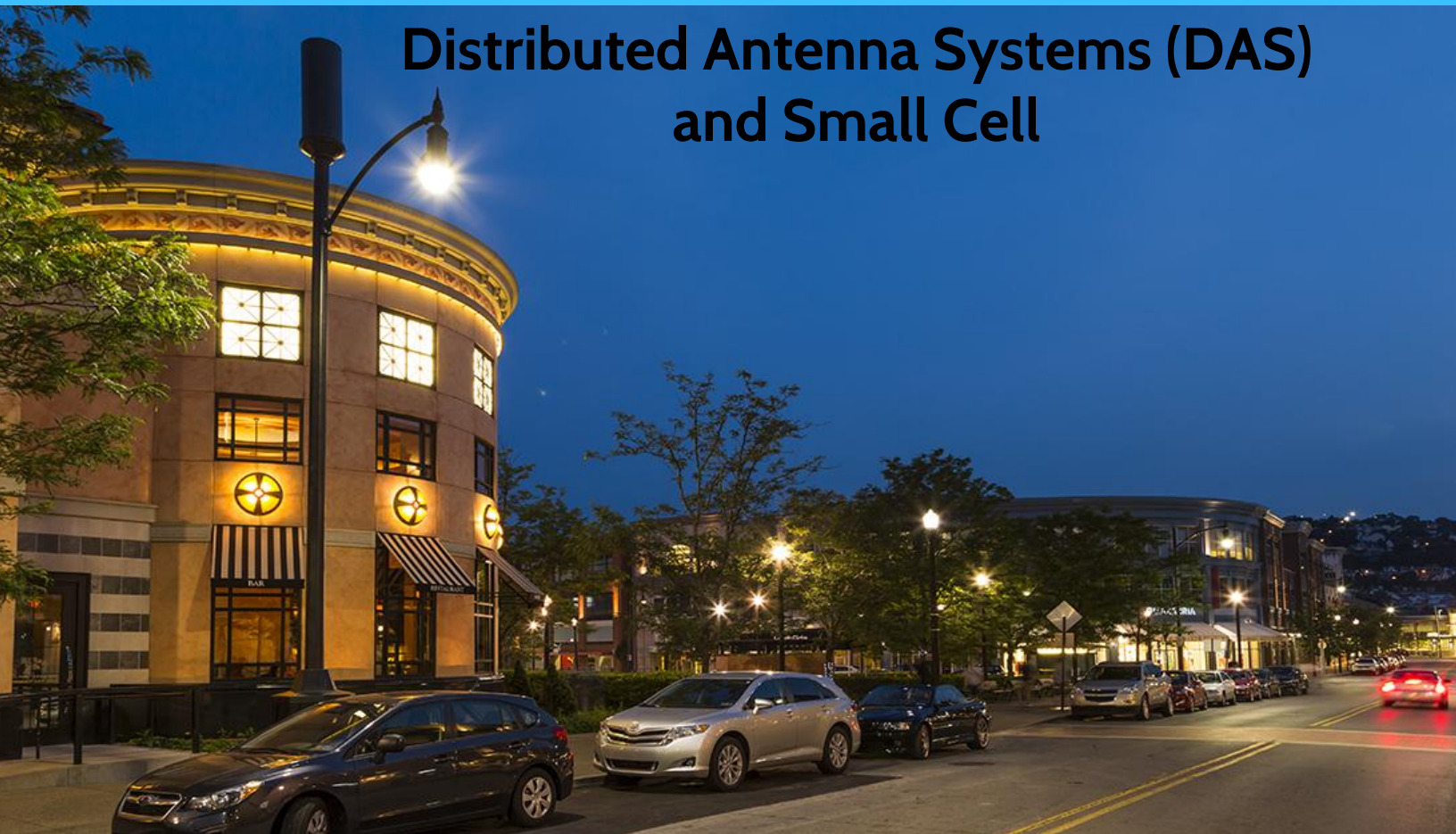


Distributed Antenna Systems (DAS) and Small Cell



**COVER
YOUR
DAS**
DISTRIBUTED ANTENNA SYSTEMS

Introduction to STEALTH®

Founded in
1992

1,000s of
concealments
throughout
the world

23+ years of experience in
the industry

Highest quality and
cutting-edge RF
transparent antenna
concealment systems

Headquarters
located in
Charleston, SC

Pioneer of the
concealment
industry

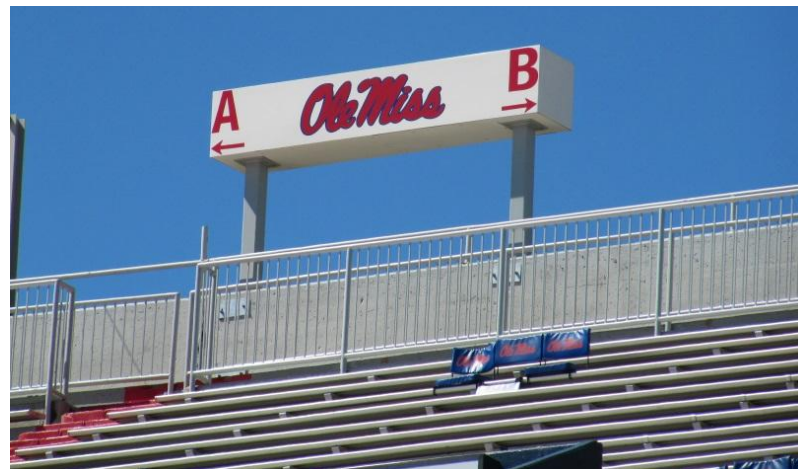
Our Concealment Experience

- Concealing wireless since 1992
- 100% acceptance, on-time delivery and RF performance
- Assists with planning & zoning approvals
- Designs with cabling, amplifiers and ventilation in mind
- High profile areas considered with 24/7 public access
- Thousands of products installed successfully
- Technical site walks done at every stadium/campus
- Extensive portfolio

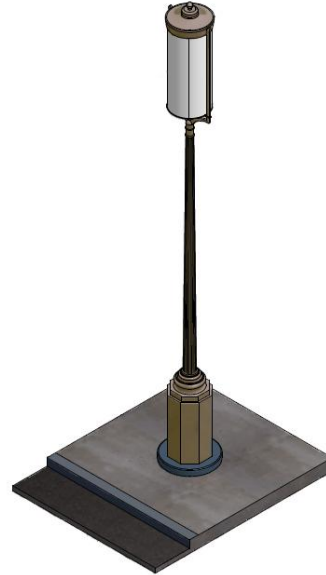


Concealment Benefits

- Aesthetically pleasing results - no visible impact to the public
- Variety of custom solutions available
- Designs are per your requirements
- Accessories available (signs, banners, lights, decals, etc.)
- Designs allow for ventilation of equipment
- Easy access for maintenance
- Unobtrusive solutions for high traffic areas
- Vandalism of equipment is prevented
- Most applications tailored to all antenna types & technologies

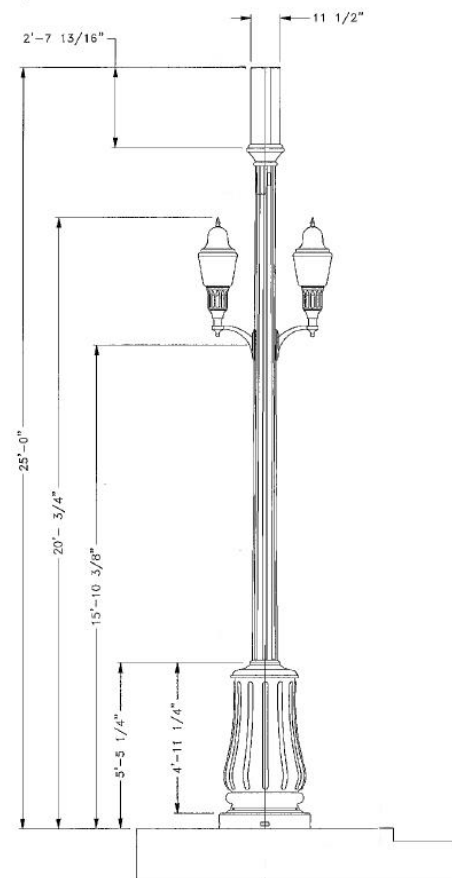


Custom Pole Solutions



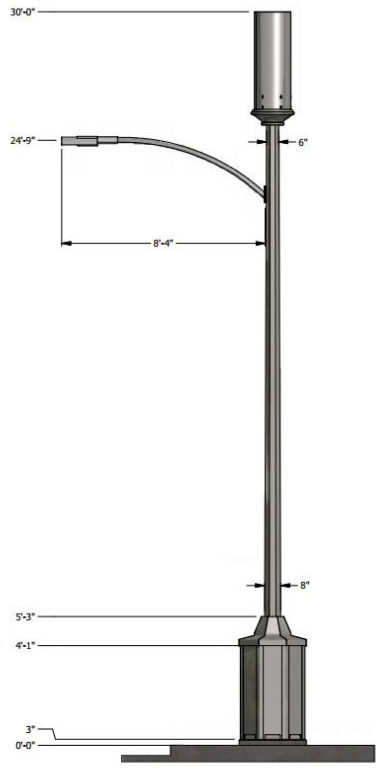
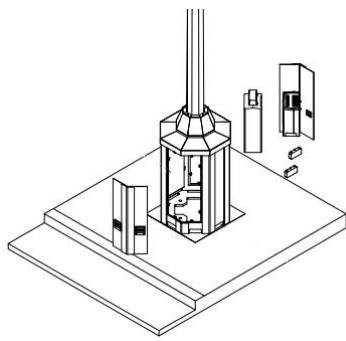
Light Pole Solutions

- Location: University of Mississippi
- Antenna: CSS Antenna X7CAP-165, ADC FlexWave Prism
- Light: Holophane Granville Premier Lunar Optic light
- Base shape designs differ
- Base lifts up for easy equipment access



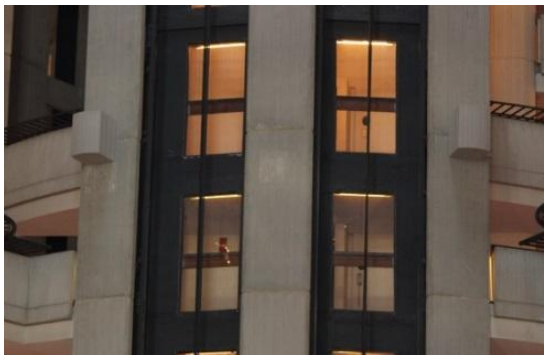
Light Pole Solutions continued...

- Location: Pittsburgh, PA
- Top Concealment: 4' tall & 1'-6" OD
- Antenna: Kathrein 840 10515
- Base designs can differ
- Access doors on base
- 2 vented louvers per door

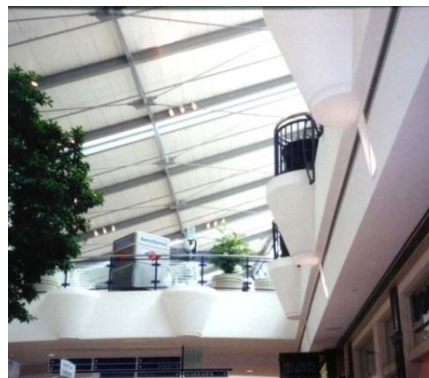
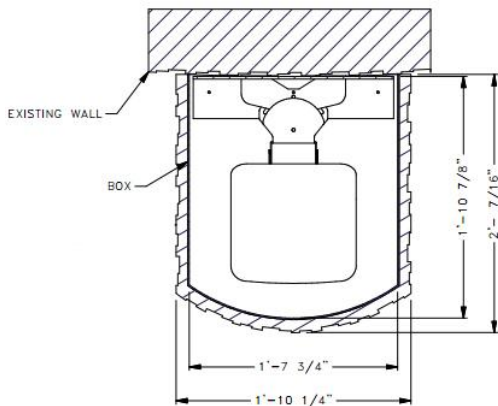


Indoor Solutions

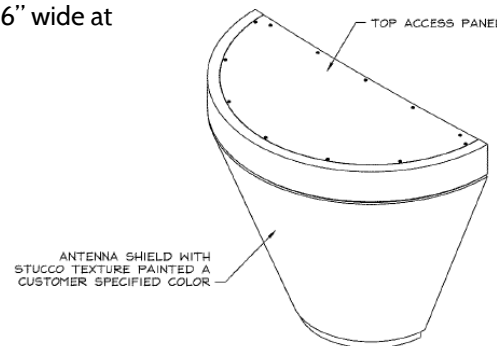
- Creative solutions for high profile venues



Location: Atlanta, GA
Description: 2'-6" tall, 2' wide, 2' deep



Location: Frisco, TX
Description: 4' tall, 4'-6" wide at top, 2' wide at base



Stadium Solutions



Location: University of Oregon
Description: 1'-3" tall, 3'-6" wide, 2' deep



Location: University of Utah
Description: 2' tall, 10' wide, 2' deep



Location: Petco Park
Description: 1' tall, 3' wide, 10" deep

Stadium Solutions Continued...

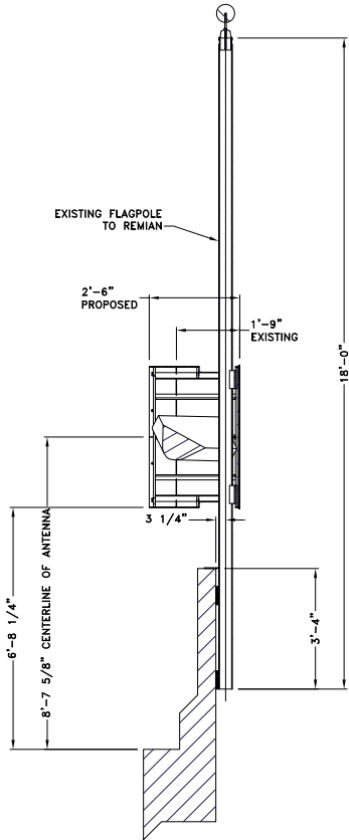


Location: University of Oklahoma
Description: 15' tall, 2' wide, 2' deep

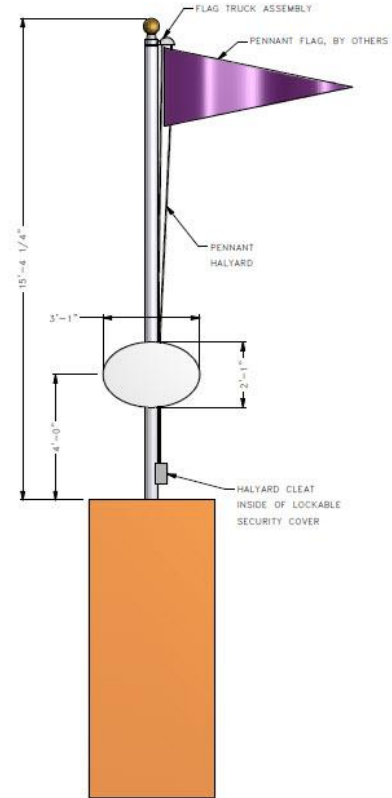


Location: University of Michigan
Description: 4' tall, 4' wide, 8" deep

Stadium Solutions Continued...



Location: Clemson University
Description: 2'-6" tall, 4' wide, 3' deep



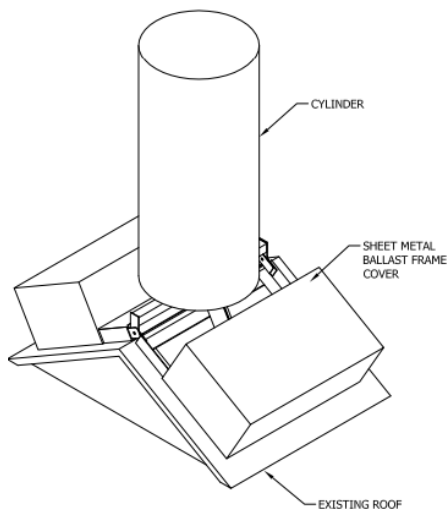
Location: University of Florida
Description: 2' tall, 3' wide, 2' deep

Small Cell Solutions

- Great for historic districts!
- Designs can be ballasted, or roof-attached.



Location: Frederick, MD
Description: 3' tall, 2' wide, 4' deep



Location: Rochester, NY
Description: 7' tall, 32" O.D.

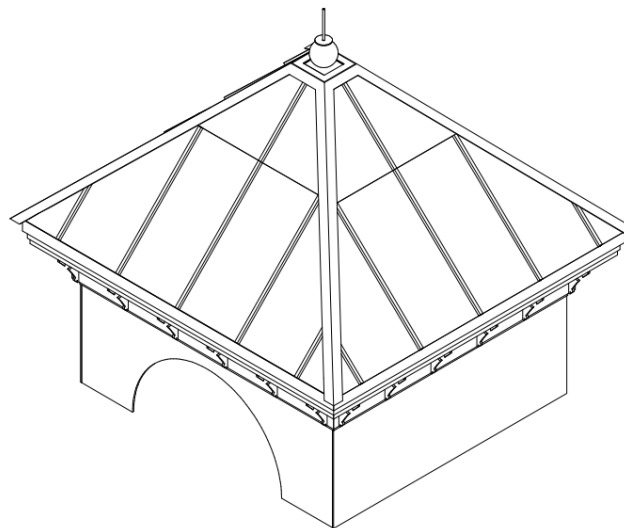


Location: Flemington, NJ
Description: 6'-6" tall, 18" O.D.

Small Cell Solutions Continued...



Location: Baltimore, MD
Description: 2'-6" tall, 2' wide, 4' deep



Location: San Antonio, TX
Description: 6'-6" tall, 10' wide, 10' deep

Small Cell Solutions Continued...



Location: Montvale, NJ
Description: 5' tall, 4' wide, 4' deep
*Ballasted Design



Location: Baltimore, MD
Description: 3' tall, 3' wide, 3' deep

Contact Information

For additional information regarding our concealment solutions, please contact:

STEALTH® Concealment Solutions

3034-A Ashley Phosphate Road
North Charleston, SC 29418

Cindy Wishart

800.755.0689 ext. 124

cindywishart@stealthsite.com

Megan Rehm

800.755.0689 ext .118

meganrehm@stealthsite.com

coveryourdas.com

